

EPSON ULTRA-SHORT THROW PROJECTOR MINIMUM INSTALLATION REQUIREMENTS

APPLICABLE MODELS: EPSON EB-440W, EB-450W and EB-450Wi

The following table should be used if the computer is configured for XGA and the end user requires optimum image quality.

Computer Resolution: XGA Image Resolution: XGA Projector set to NATIVE mode	Diagram Reference*	SMART Board 660	Smart Board 680	Promethean ActivBoard 164	Promethean ActivBoard 178	RM ClassBoard2 77.5	Hitachi StarBoard FX-63	Hitachi StarBoard FX-77
Image Diagonal (inches)	S	64	77	64	78	78	63	77
Image Height (mm)	h	975	1,173	975	1,189	1,181	960	1,173
Image Width (mm)		1,300	1,565	1,300	1,585	1,575	1,280	1,565
Throw Distance <i>Distance from screen surface to projector (mm)</i>	a	221	325	221	335	330	192	325
Height of Image from floor <i>Distance from floor to bottom of image (mm)</i>	f	900	900	900	900	900	900	900
Vertical Offset <i>Distance from top of image to bottom mounting holes on wall plate (mm)</i>	b	347	411	347	417	415	343	411
Height of Wall Plate		240	240	240	240	240	240	240
Distance from top of wall plate to ceiling (mm)	c	50	50	50	50	50	50	50
Minimum Ceiling Height (mm)	m	2,512	2,774	2,512	2,796	2,786	2,493	2,774

APPLICABLE MODELS: EPSON EB-440W, EB-450W and EB-450Wi

The following table should be used if the computer is configured for XGA and ceiling height is low.

Computer Resolution: XGA Image Resolution: 4:3, 1067 x 800 pixels Projector set to NORMAL mode	Diagram Reference*	SMART Board 660	Smart Board 680	Promethean ActivBoard 164	Promethean ActivBoard 178	RM ClassBoard2 77.5	Hitachi StarBoard FX-63	Hitachi StarBoard FX-77
Image Diagonal (inches)	S	64	77	64	78	78	63	77
Image Height (mm)	h	975	1,173	975	1,189	1,181	960	1,173
Image Width (mm)		1,300	1,565	1,300	1,585	1,575	1,280	1,565
Throw Distance <i>Distance from screen surface to projector (mm)</i>	a	177	296	177	305	300	168	296
Height of Image from floor <i>Distance from floor to bottom of image (mm)</i>	f	900	900	900	900	900	900	900
Vertical Offset <i>Distance from top of image to bottom mounting holes on wall plate (mm)</i>	b	315	373	315	377	375	311	373
Height of Wall Plate		240	240	240	240	240	240	240
Distance from top of wall plate to ceiling (mm)	c	50	50	50	50	50	50	50
Minimum Ceiling Height (mm)	m	2,480	2,736	2,480	2,756	2,746	2,461	2,736

APPLICABLE MODELS: EPSON EB-440W, EB-450W and EB-450Wi

The following table should be used if the computer is configured for WXGA or if the user wants to use the full resolution of the projector

Computer Resolution: WXGA or XGA Image Resolution: WXGA	Diagram Reference*	SMART Board 685	Promethean ActivBoard 164	Arbitrary Screen Sizes				
Image Diagonal (inches)	S	87	87	70	78	80	84	85
Image Height (mm)	h	1,171	1,171	942	1,050	1,077	1,131	1,144
Image Width (mm)		1,874	1,874	1,508	1,680	1,723	1,809	1,831
Throw Distance <i>Distance from screen surface to projector (mm)</i>	a	294	294	157	222	238	270	278
Height of Image from floor <i>Distance from floor to bottom of image (mm)</i>	f	900	900	900	900	900	900	900
Vertical Offset <i>Distance from top of image to bottom mounting holes on wall plate (mm)</i>	b	372	372	306	337	345	361	364
Height of Wall Plate		240	240	240	240	240	240	240
Distance from top of wall plate to ceiling (mm)	c	50	50	50	50	50	50	50
Minimum Ceiling Height (mm)	m	2,733	2,733	2,438	2,577	2,612	2,682	2,698

APPLICABLE MODELS: EPSON EB-460 and EB-460i

The following table should be used if the computer is configured for XGA

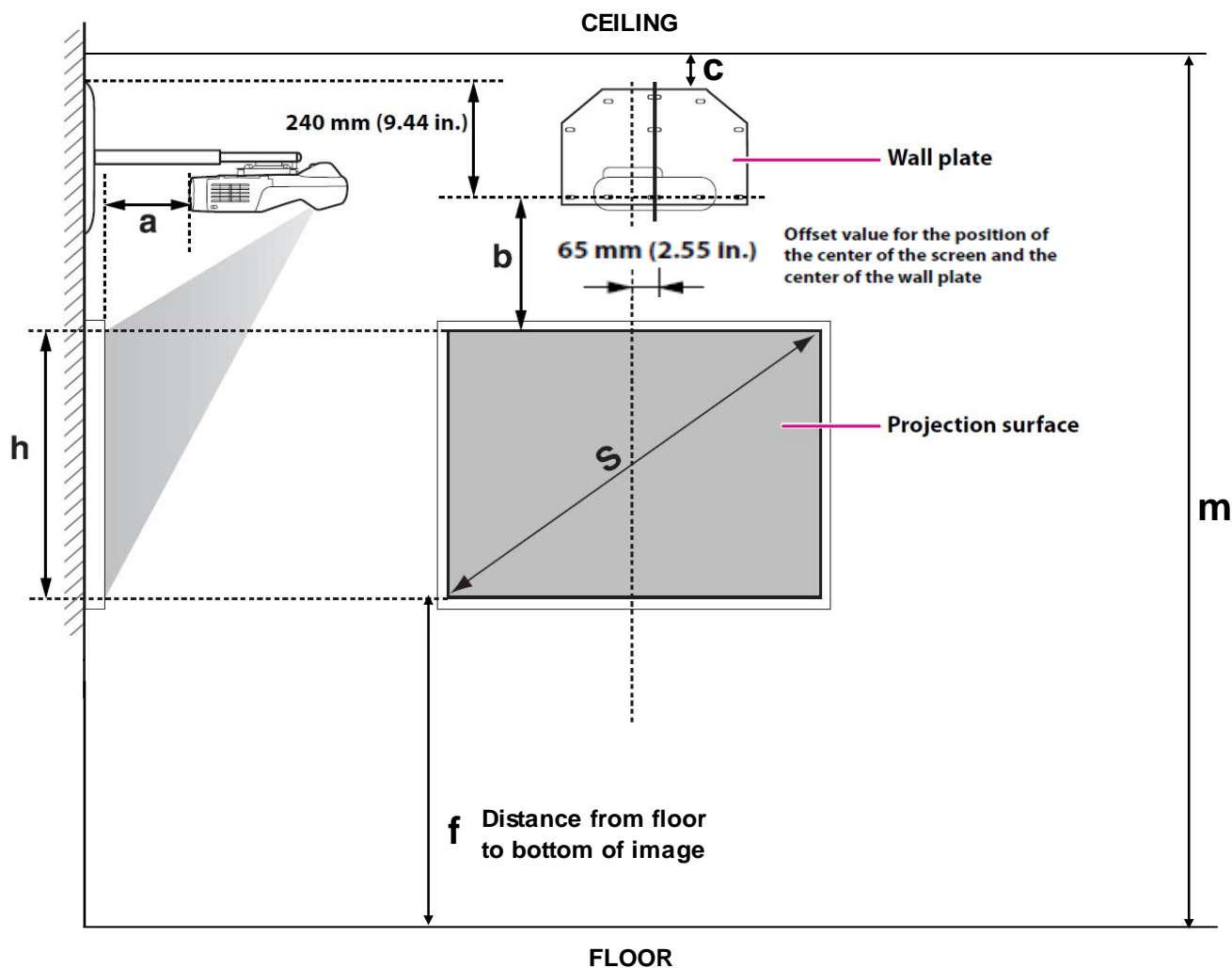
Computer Resolution: XGA Image Resolution: XGA	Diagram Reference*	SMART Board 660	Smart Board 680	Promethean ActivBoard 164	Promethean ActivBoard 178	RM ClassBoard2 77.5	Hitachi StarBoard FX-63	Hitachi StarBoard FX-77
Image Diagonal (inches)	S	64	77	64	78	78	63	77
Image Height (mm)	h	975	1,173	975	1,189	1,181	960	1,173
Image Width (mm)		1,300	1,565	1,300	1,585	1,575	1,280	1,565
Throw Distance <i>Distance from screen surface to projector (mm)</i>	a	79	178	79	186	182	71	178
Height of Image from floor <i>Distance from floor to bottom of image (mm)</i>	f	900	900	900	900	900	900	900
Vertical Offset <i>Distance from top of image to bottom mounting holes on wall plate (mm)</i>	b	186	218	186	221	219	184	218
Height of Wall Plate		240	240	240	240	240	240	240
Distance from top of wall plate to ceiling (mm)	c	50	50	50	50	50	50	50
Minimum Ceiling Height (mm)	m	2,351	2,581	2,351	2,600	2,590	2,334	2,581

* Refer to diagram on reverse

Errors and Omissions Excepted. Product information is subject to change without prior notice
All Trademarks Acknowledged

EPSON[®]
EXCEED YOUR VISION

EPSON ULTRA-SHORT THROW PROJECTOR MINIMUM INSTALLATION REQUIREMENTS



IMPORTANT NOTES

- The dimensions supplied are offered as a guide only and may differ depending on several factors relating to any specific installation
- The dimensions are based on the projector being configured with ZERO Keystone Correction and ZOOM set to WIDE
- The dimensions assume that the wall mount arm is positioned 90° from the wall plate and screen surface
- Dimensions (f) and (b) are measured from the edge of the projected image, not from the edge of the screen / interactive whiteboard. It may be necessary to take into account the dimensions of the screen / interactive whiteboard borders particularly if there are restrictions on where the screen can be positioned e.g. existing trunking.
- The dimensions assume that the bottom of the image is 900mm from the floor (f). If the installation requires the image to be at a different height, subtract 900 from the minimum ceiling height value then add the distance from the floor to the bottom of the image in mm.

E.g Smart Board 660 mounted at 850mm from the floor,

$$2500\text{mm} - 900\text{mm} = 1400\text{mm} + 850\text{mm} = 2450\text{mm}$$

- For screen sizes not shown, please refer to the EPSON Throw Distance Calculator at,

<http://support.epson-europe.com/TDC/ThrowDistanceCalculatorEN/>